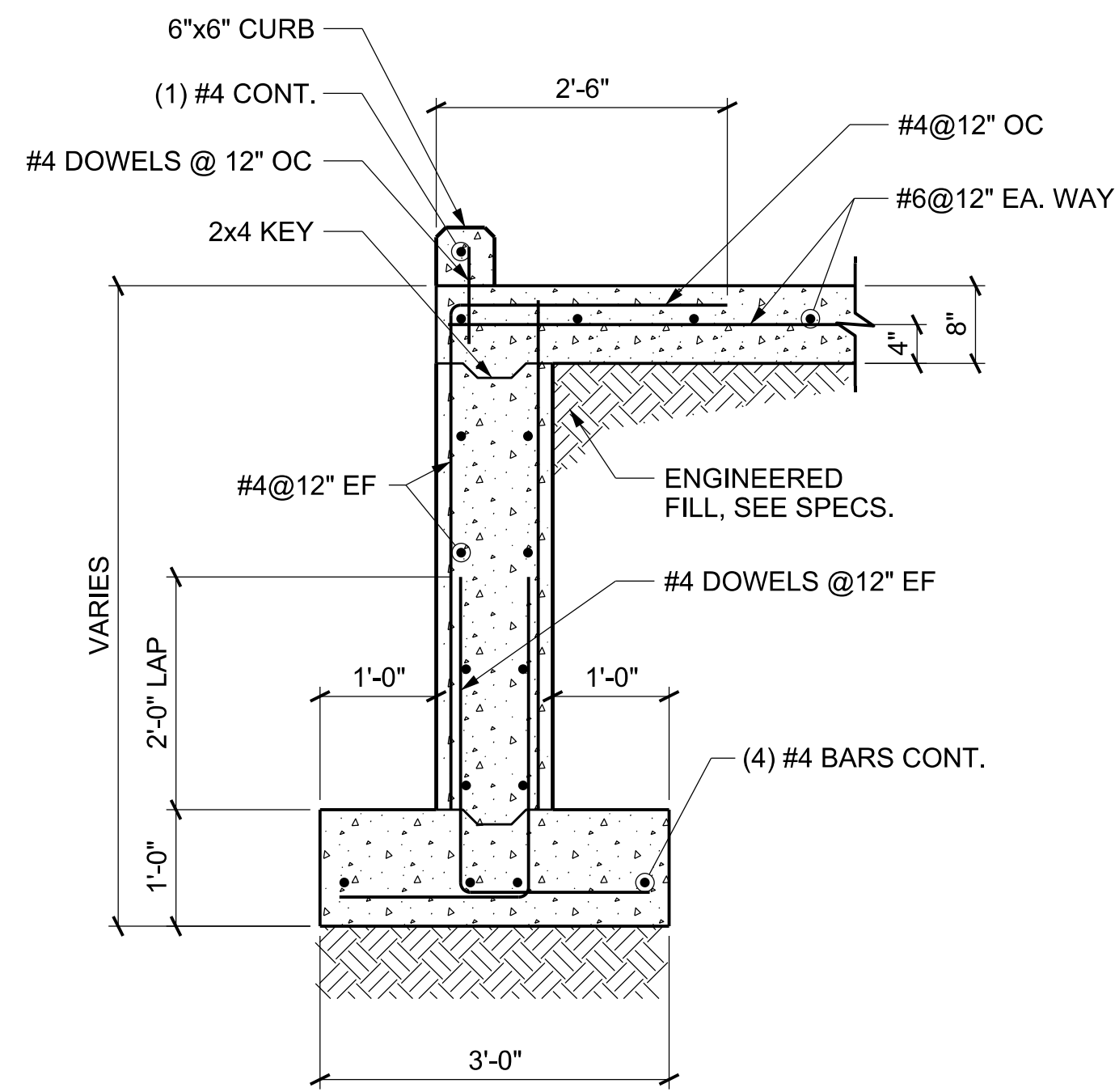


D

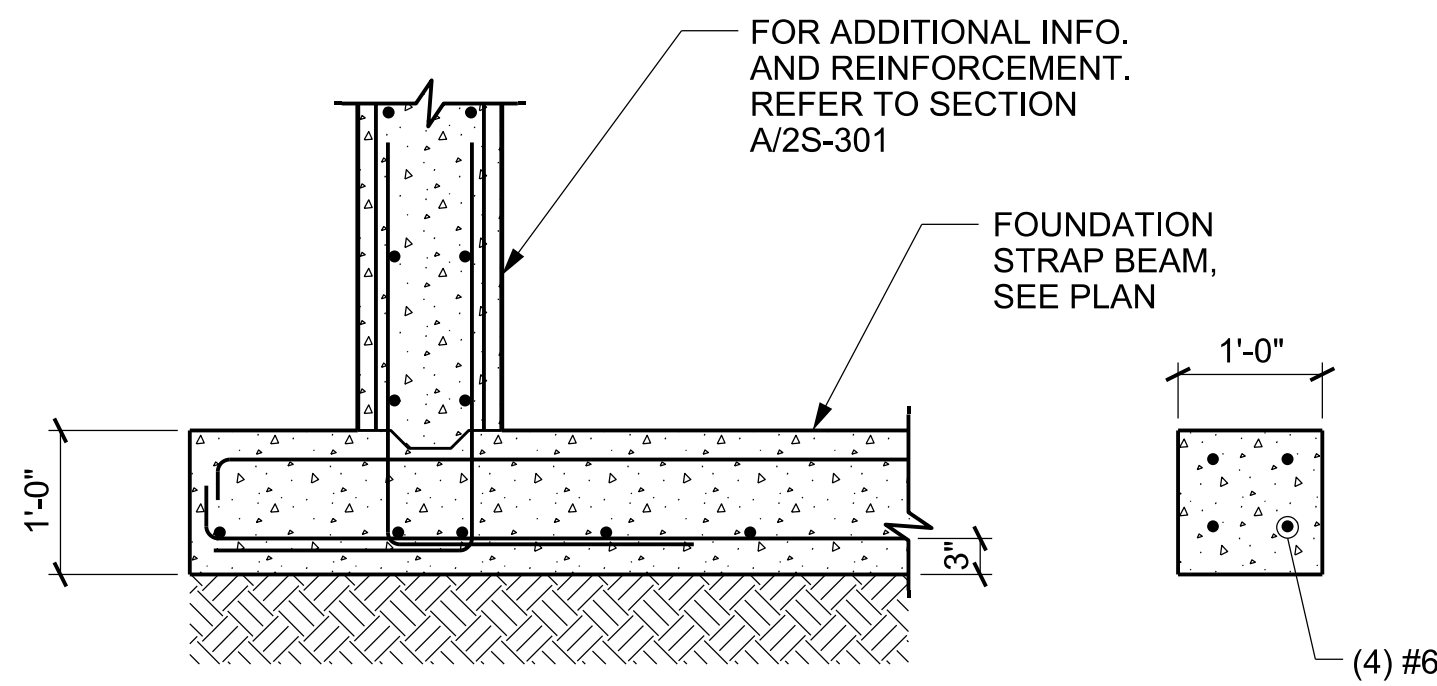
C

B

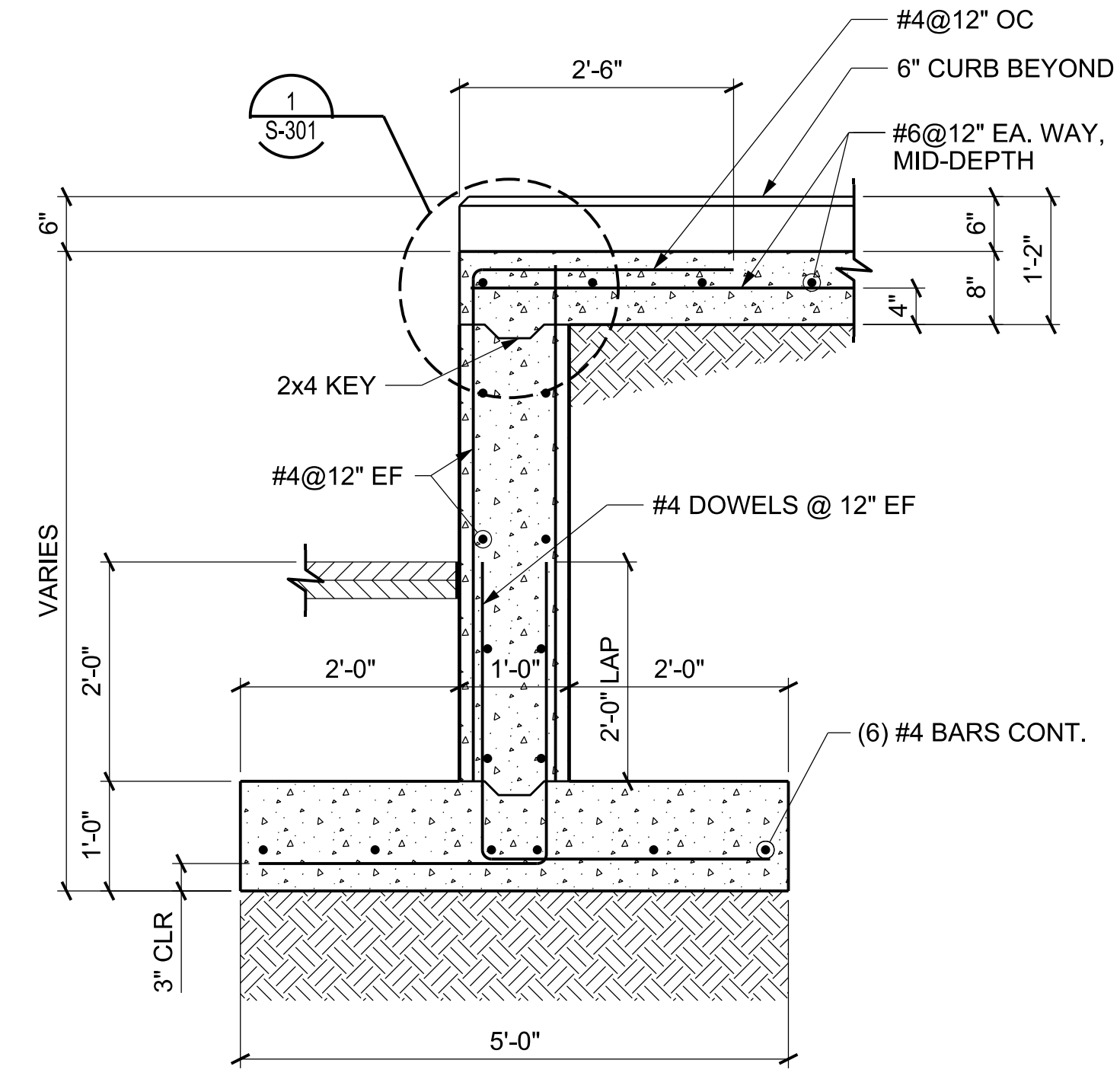
A



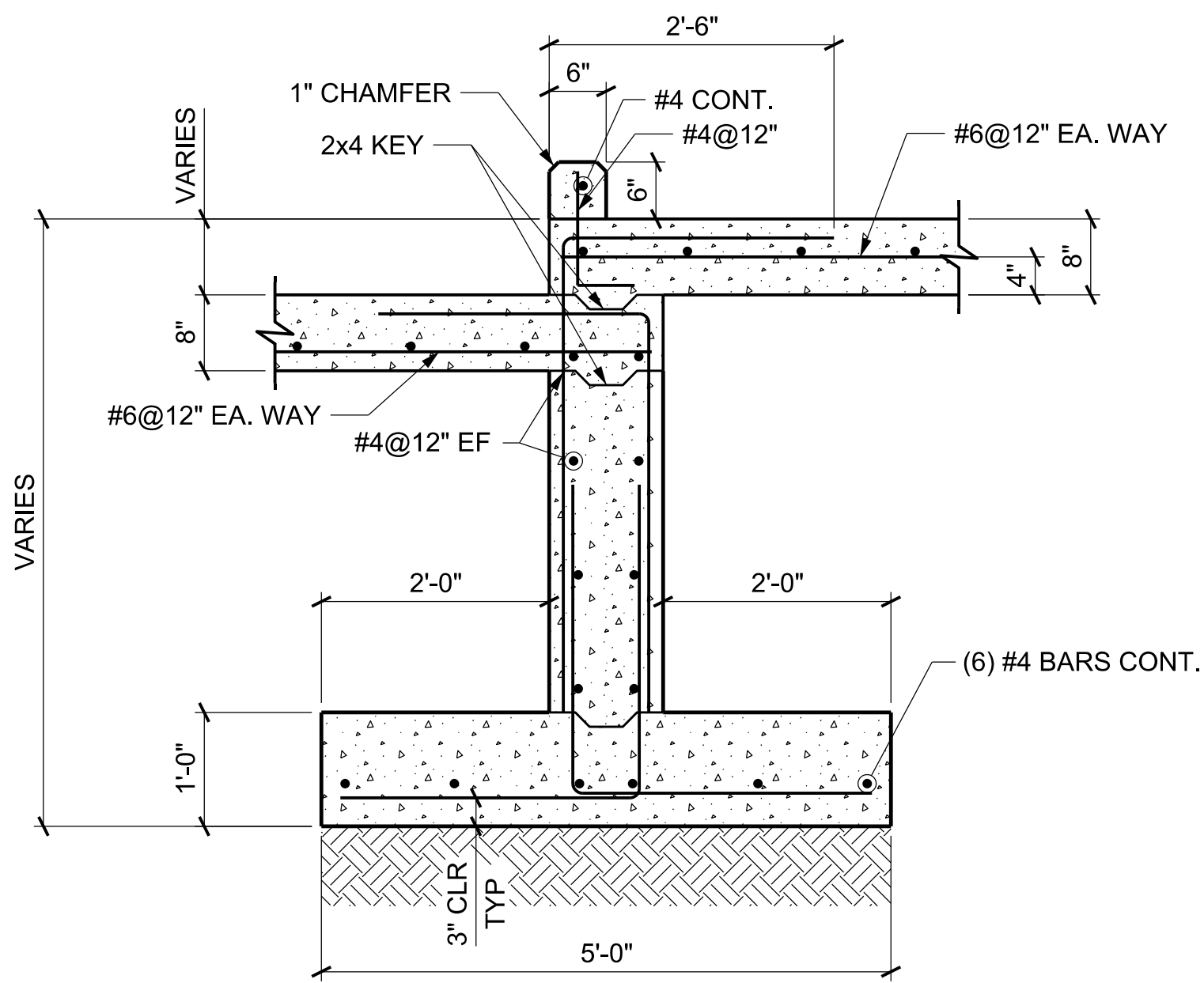
SECTION A
S-110 SCALE: 3/4"=1'-0"



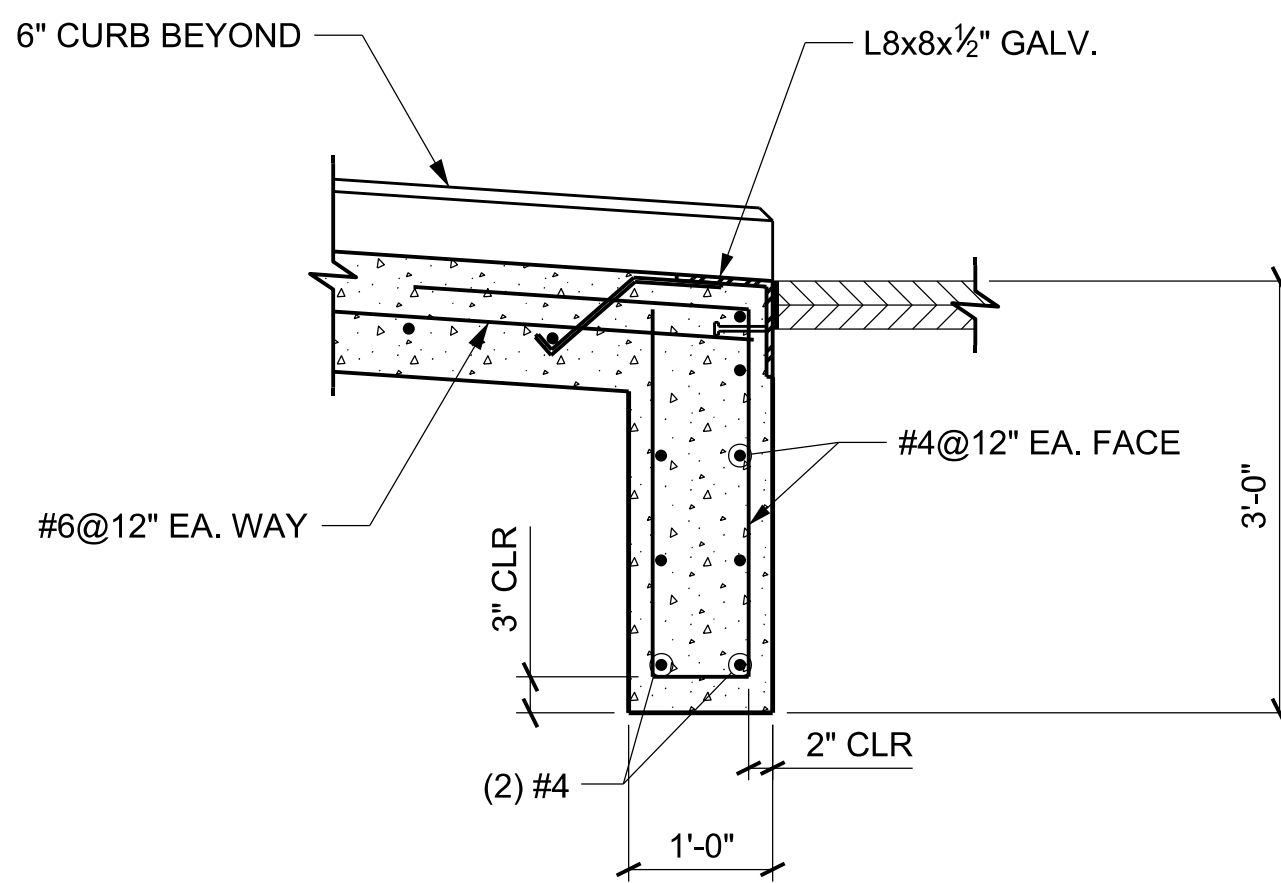
SECTION B
S-110 SCALE: 3/4"=1'-0"



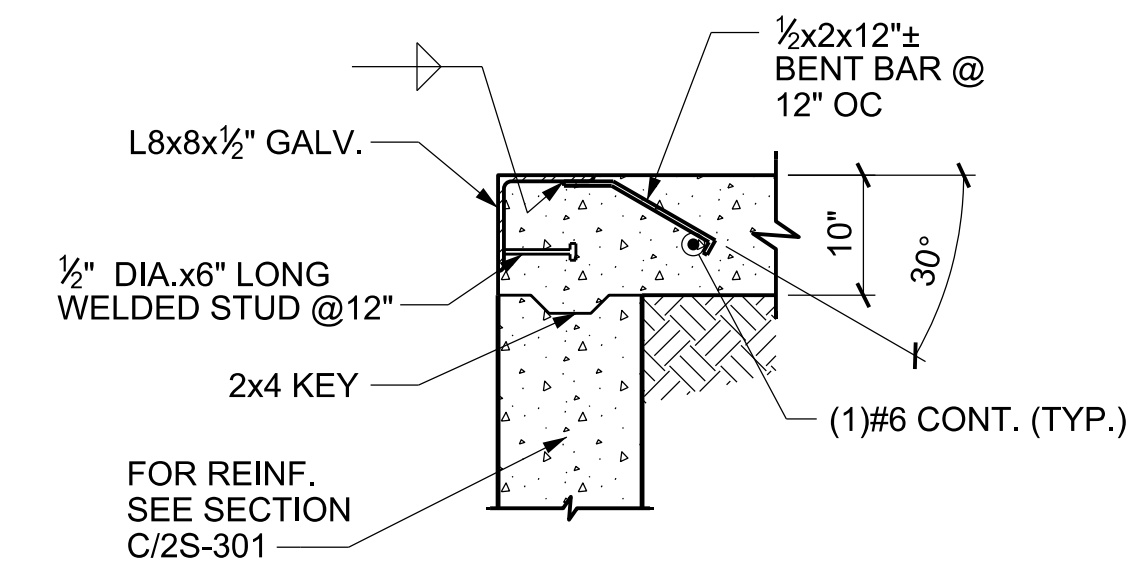
SECTION C
S-110 SCALE: 3/4"=1'-0"



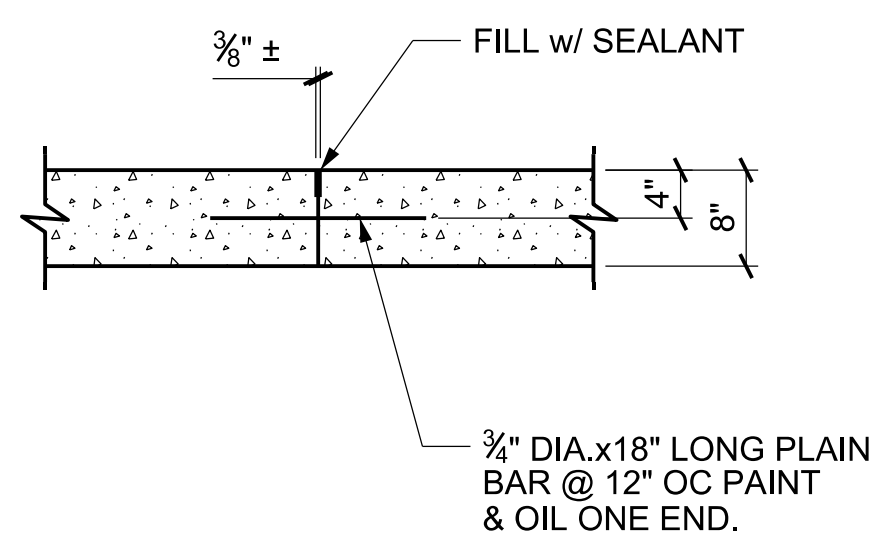
SECTION D
S-110 SCALE: 3/4"=1'-0"



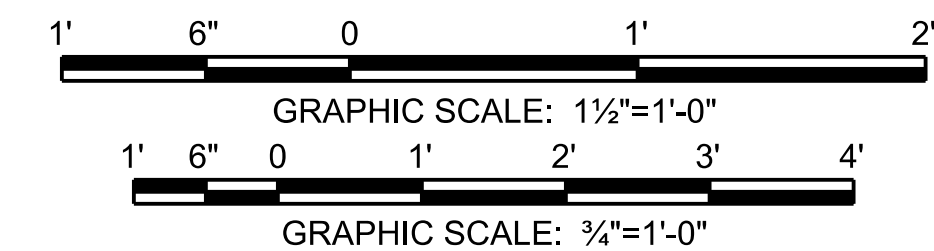
SECTION E
S-110 SCALE: 3/4"=1'-0"



DETAIL 1
S-301 SCALE: 1 1/2"=1'-0"



CONSTRUCTION JOINT
SCALE: 3/4"=1'-0"



DATE	DESCRIPTION	APPR.	MARK

DESIGNED BY:	CHKD BY:	SOLICITATION NO.:
DWN BY:	SUBMITTED BY:	CONTRACT NO.:
PROJECT NAME:	PROJECT LOCATION:	FILE NUMBER:
LOUISVILLE DISTRICT	LOUISVILLE, KENTUCKY	MR-P&R-200
DATE:	DATE:	DATE:

PROJECT NAME	LOADING RAMP SECTIONS AND DETAILS
PROJECT LOCATION	
PROJECT #	P2# XXXXX
PROJECT #	P2# XXXXX

SHEET IDENTIFICATION
S-301