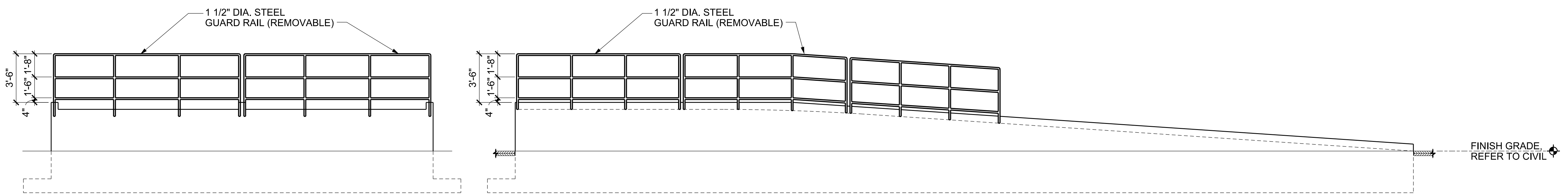
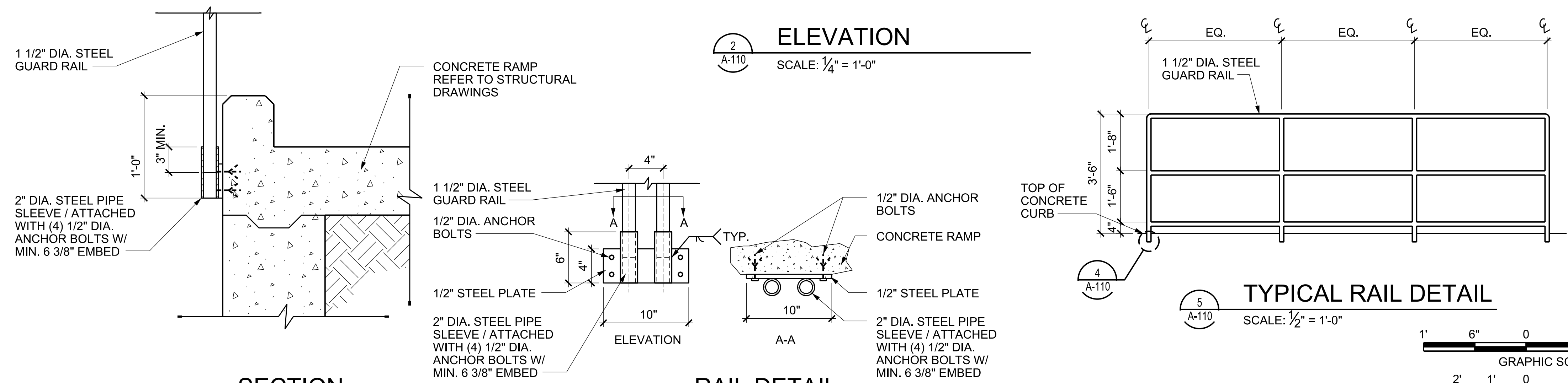


1
A-110
LOADING RAMP PLAN
SCALE: 1/4" = 1'-0"

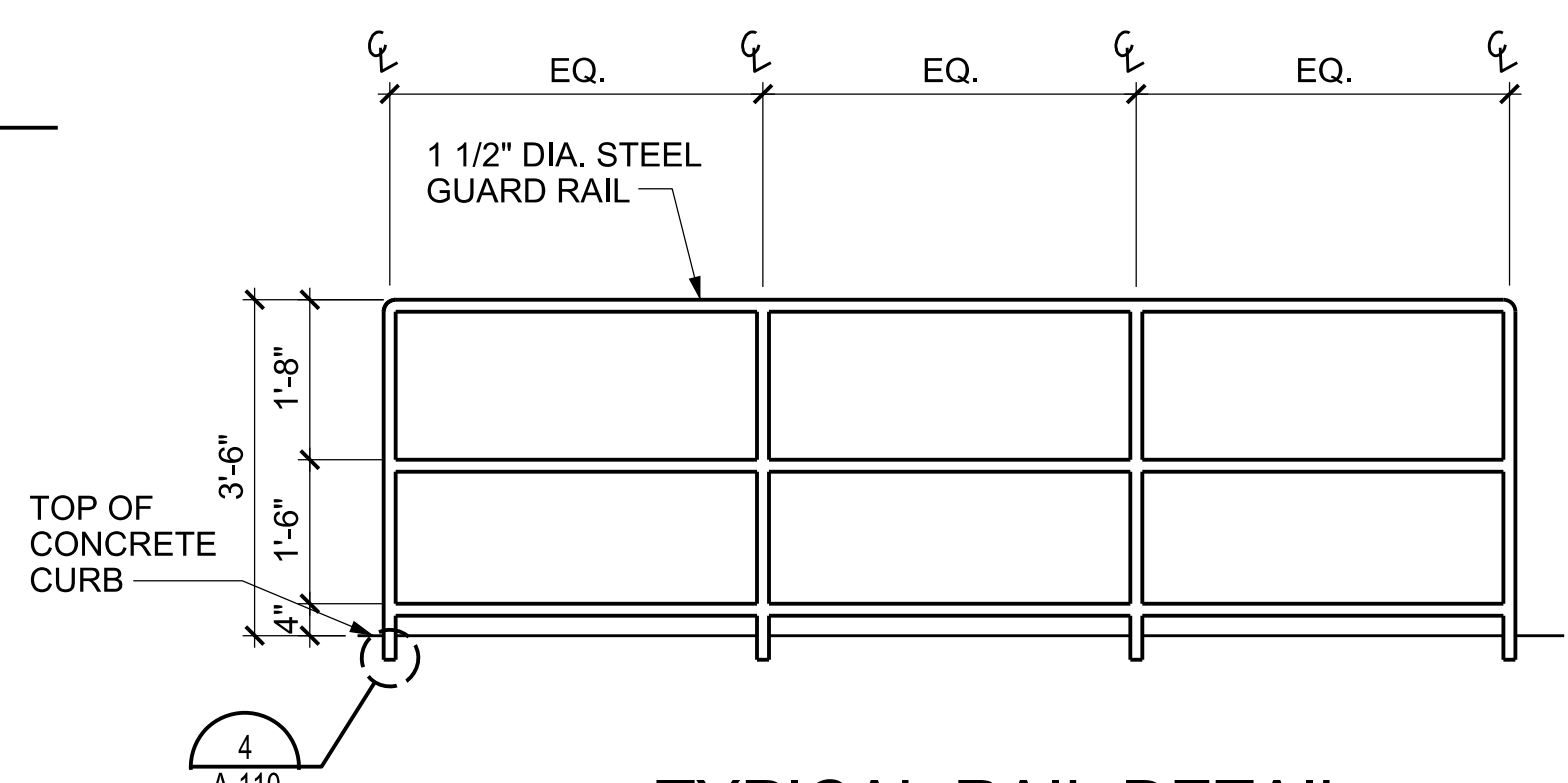


2
A-110
ELEVATION
SCALE: 1/4" = 1'-0"

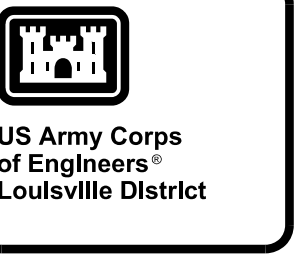
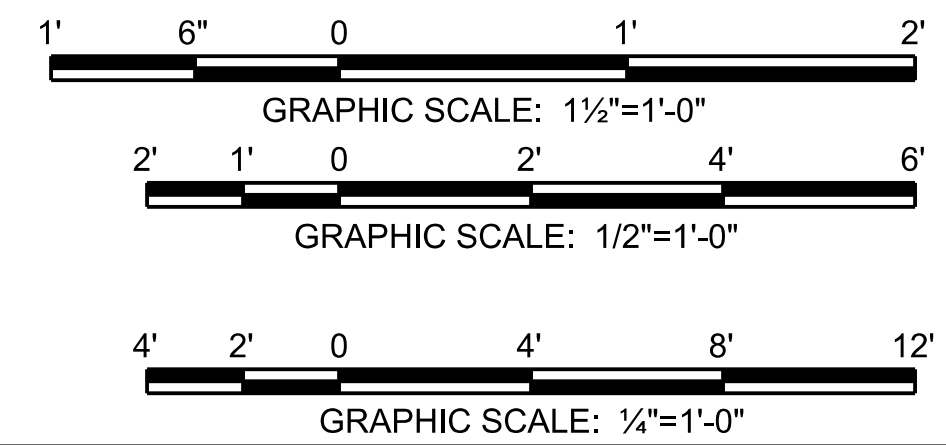


3
A-110
SECTION
SCALE: 1 1/2" = 1'-0"

4
A-110
RAIL DETAIL
SCALE: 1 1/2" = 1'-0"



5
A-110
TYPICAL RAIL DETAIL
SCALE: 1/2" = 1'-0"



| MARK | DESCRIPTION | DATE | APPR. |
|------|-------------|------|-------|
| | | | |
| | | | |
| | | | |
| | | | |
| | | | |
| | | | |
| | | | |
| | | | |
| | | | |

| | |
|---------------------------------|---------------------------|
| DESIGNED BY: K. SOUTH | DATE: |
| CHECKED BY: R. PROCTOR | SOLICITATION NO.: |
| SUBMITTED BY: MASON & HANGER | CONTRACT NO.: |
| PLOT SCALE: 1/4" = 1' | FILE NUMBER: MR-P44200 |
| SIZE: ANSI D | FILE NAME: \$FILESS |

| |
|---|
| U.S. ARMY CORPS OF ENGINEERS LOUISVILLE DISTRICT LOUISVILLE, KENTUCKY |
|---|

| |
|--|
| PROJECT NAME LOADING RAMP |
| PROJECT LOCATION CONCEPT FLOOR PLAN |

| |
|---------------------------------------|
| SHEET IDENTIFICATION 5A-110 |
|---------------------------------------|